
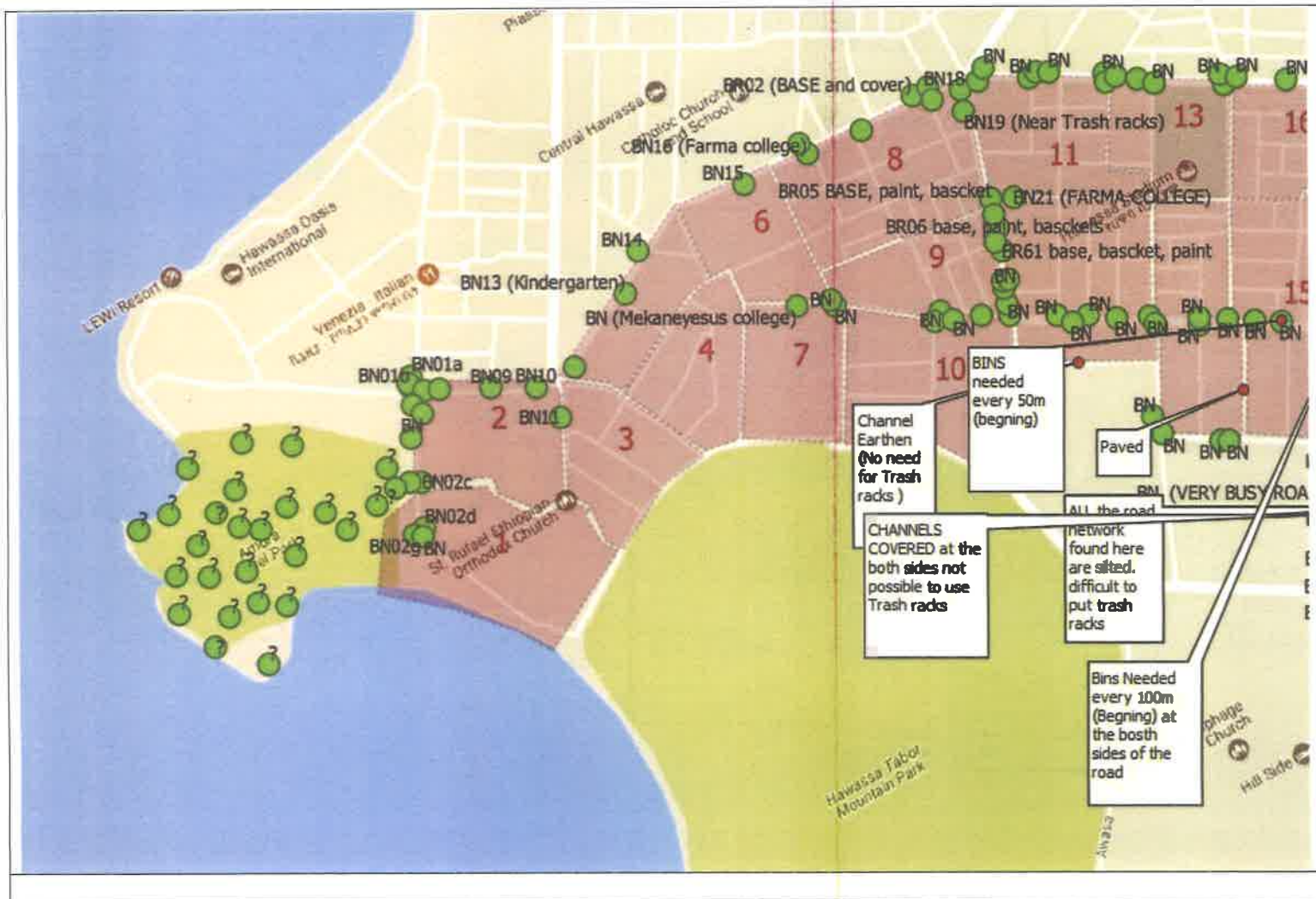


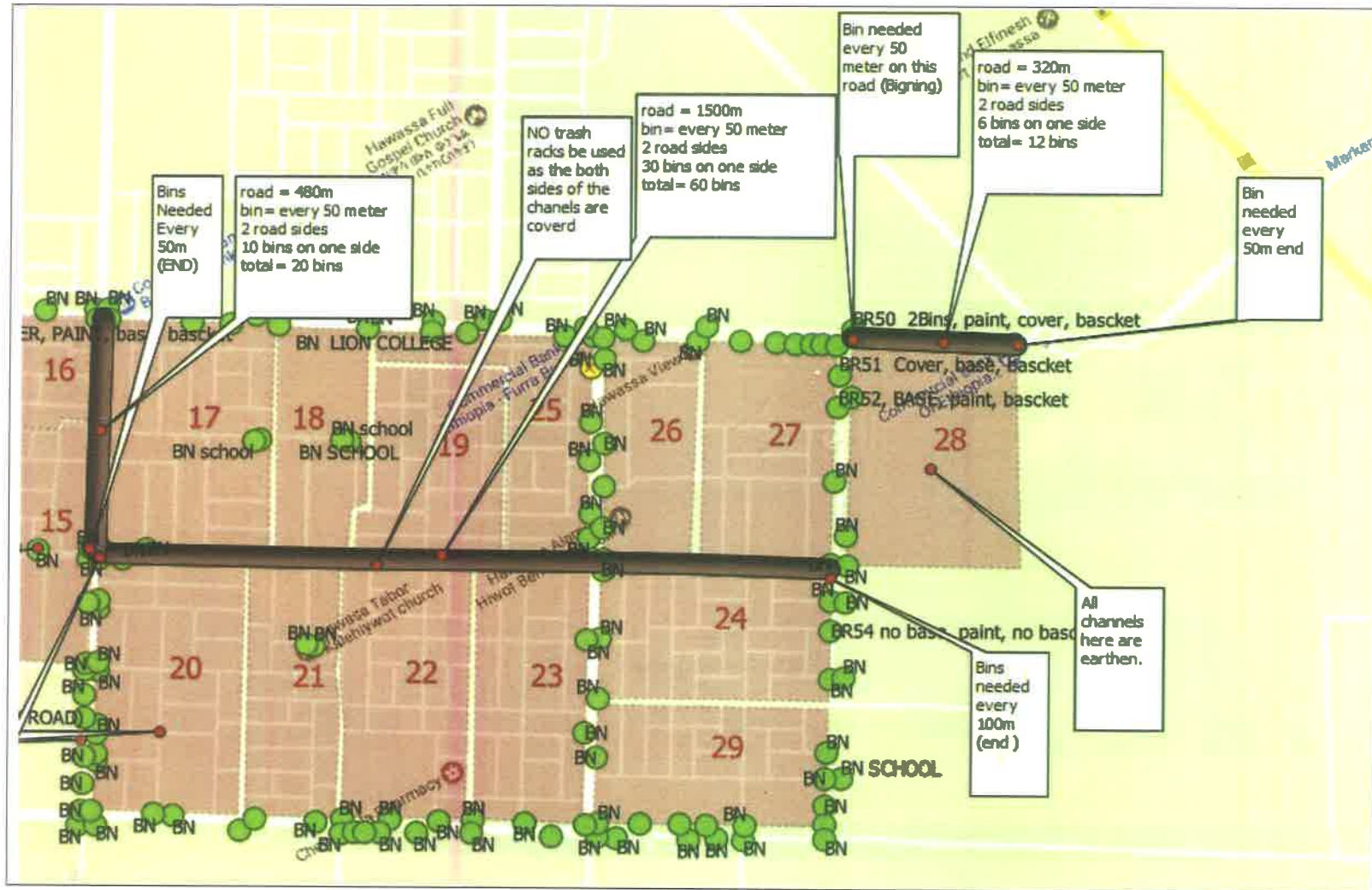
Specification Sheet: Solid Waste Storage Dustbin Production

Item	Description
Type	Metal stand with double-sided fibreglass bins/ container (see picture)
Required Tasks	Produce, assemble, fix/ install 297 bins in Hawassa, Ethiopia, in the specified locations (see attached map; GIS version also available upon request)
Sample Photographs	
Dustbin Specifications (For single dustbin)	Body: 600mm x 700mm, double layer (2x450mm) thick strong fibreglass To be well fixed on RHS metal frame Lids: 700mm x 300mm, double layer (2x450mm) thick strong fibreglass Lids to be movable, stable and well fixed to RHS metal frame
Frame and stand	2 x RHS - 100x40x4 - height 1600mm 2 x RHS - 100x40x4 - width 700mm 2 x RHS - 100x40x4 - height 500mm (to be buried in concrete base) 700mm x 1600mm x 4mm sheet metal plate Prices to include all necessary cutting, welding, two coats of anti-rust paint, three coats of synthetic paint, all bolts, fixes and accessories and works.
Basket (For single dustbin)	2 (body) x 500mm x 400mm - 28 gauge galvanized steel 1 (base) x 500mm x 300mm - 28 gauge galvanized steel
Concrete base	900mm x 25mm x 40mm ordinary surface finish 10 MPa concrete
Sample drawing	On next page

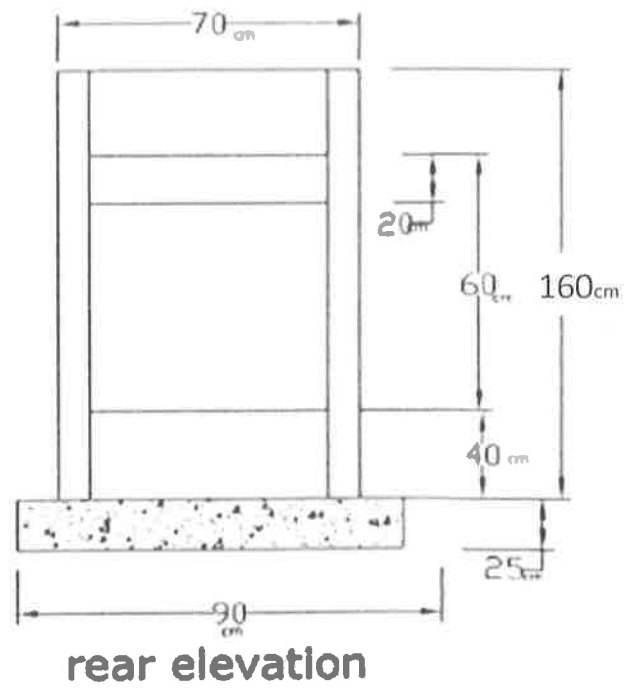
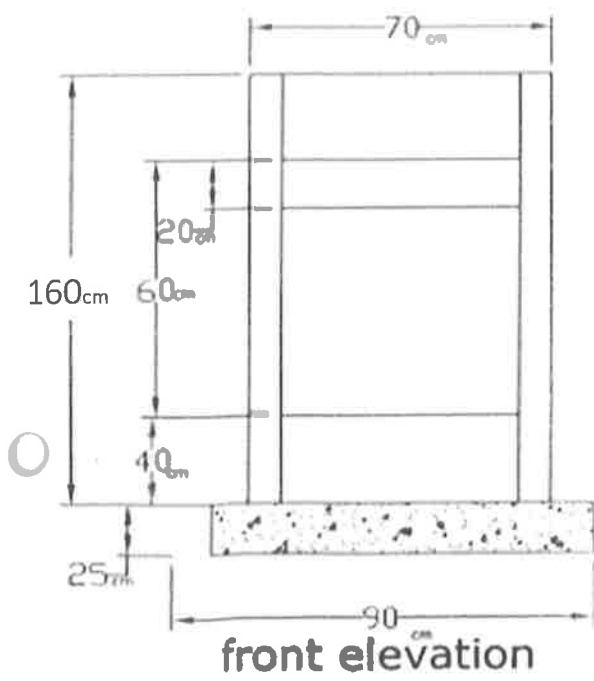
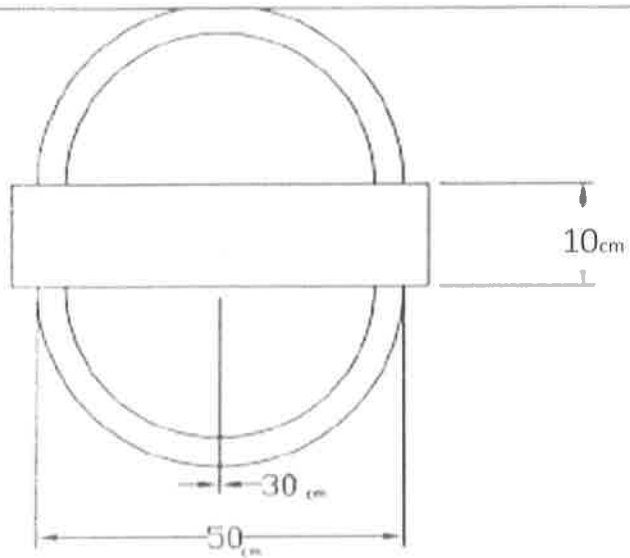
Map-4 new bins down stream

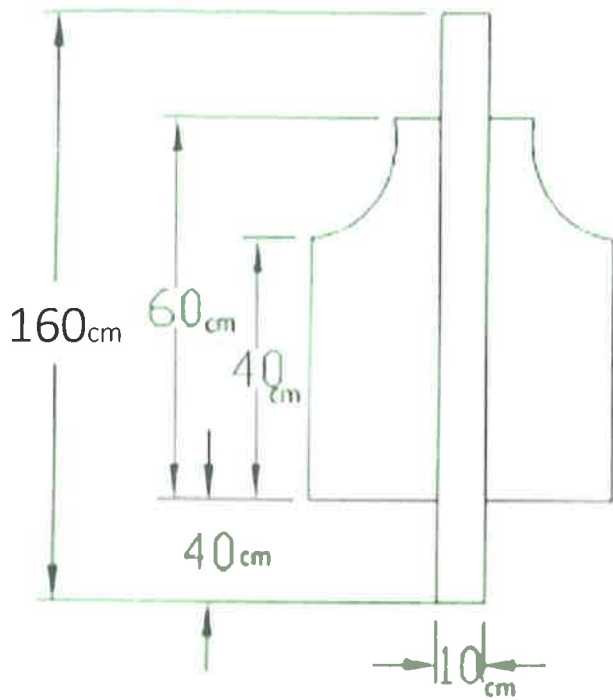


MAP-3 NEW BIN- UP STREAM

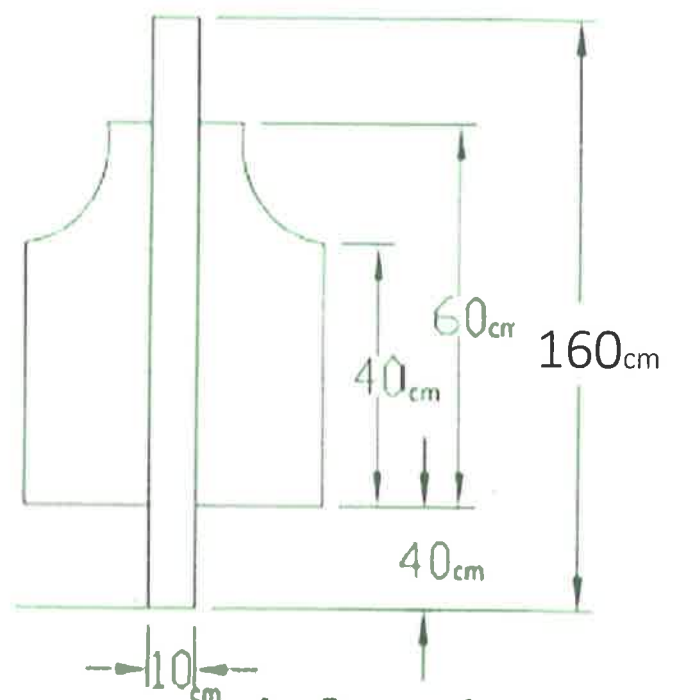


top view

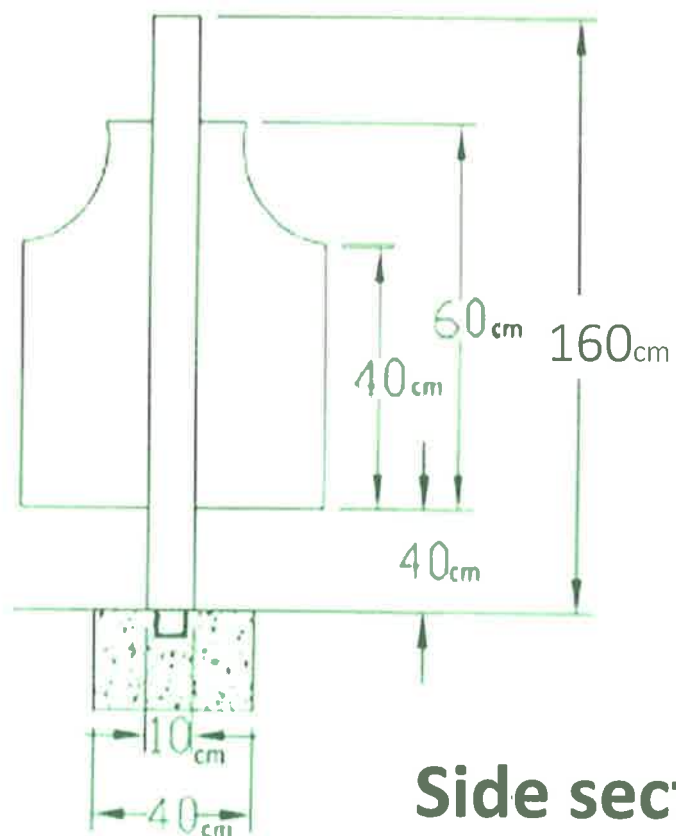




right side

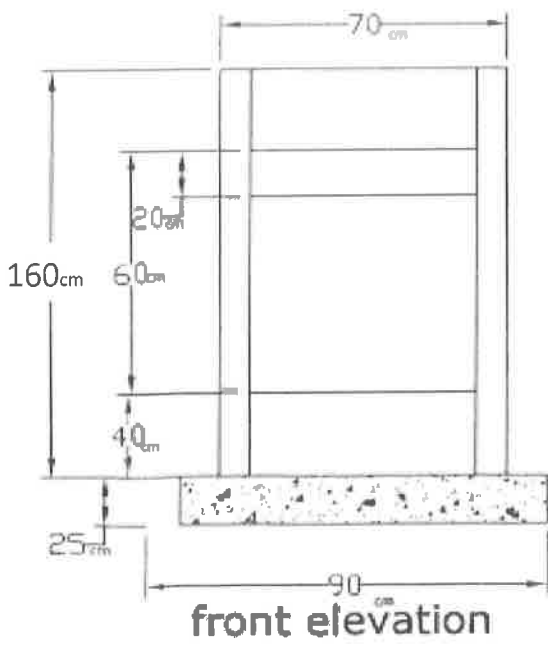
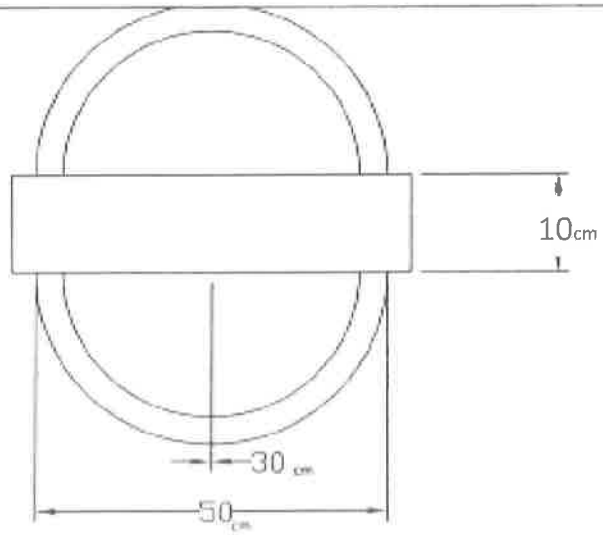


left side

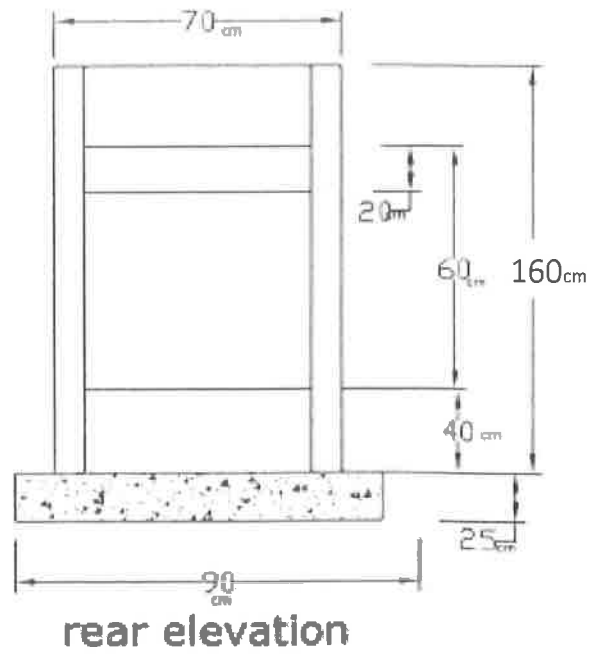


Side section

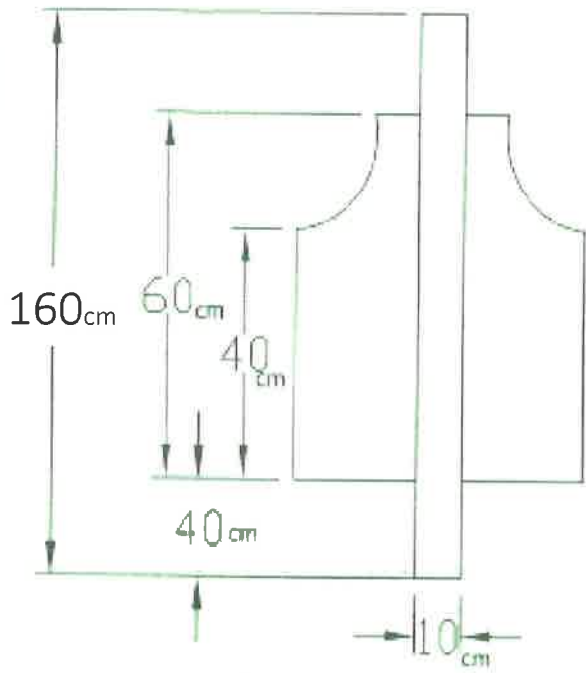
top view



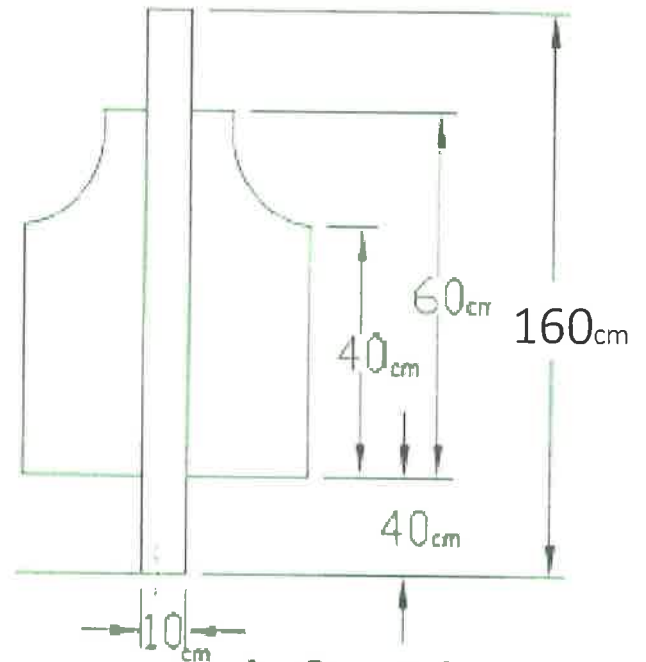
front elevation



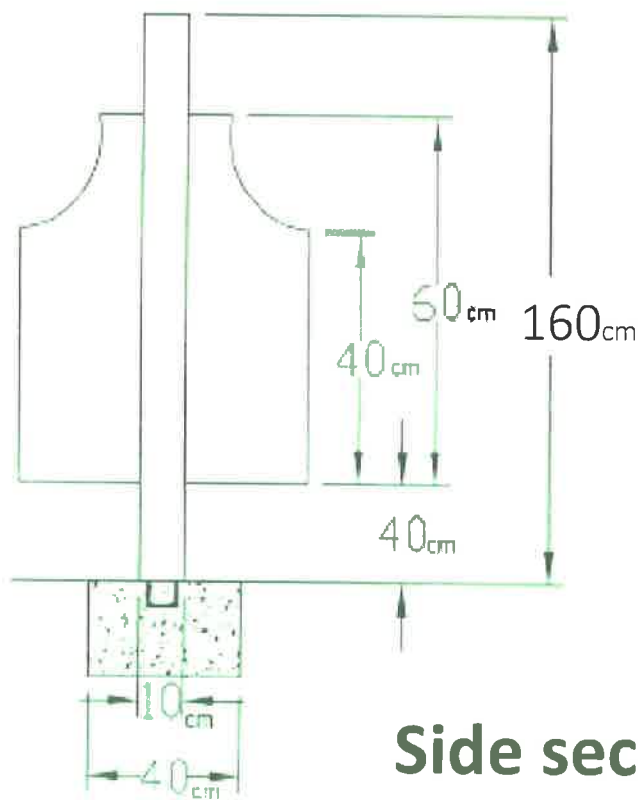
rear elevation



right side



left side



Side section